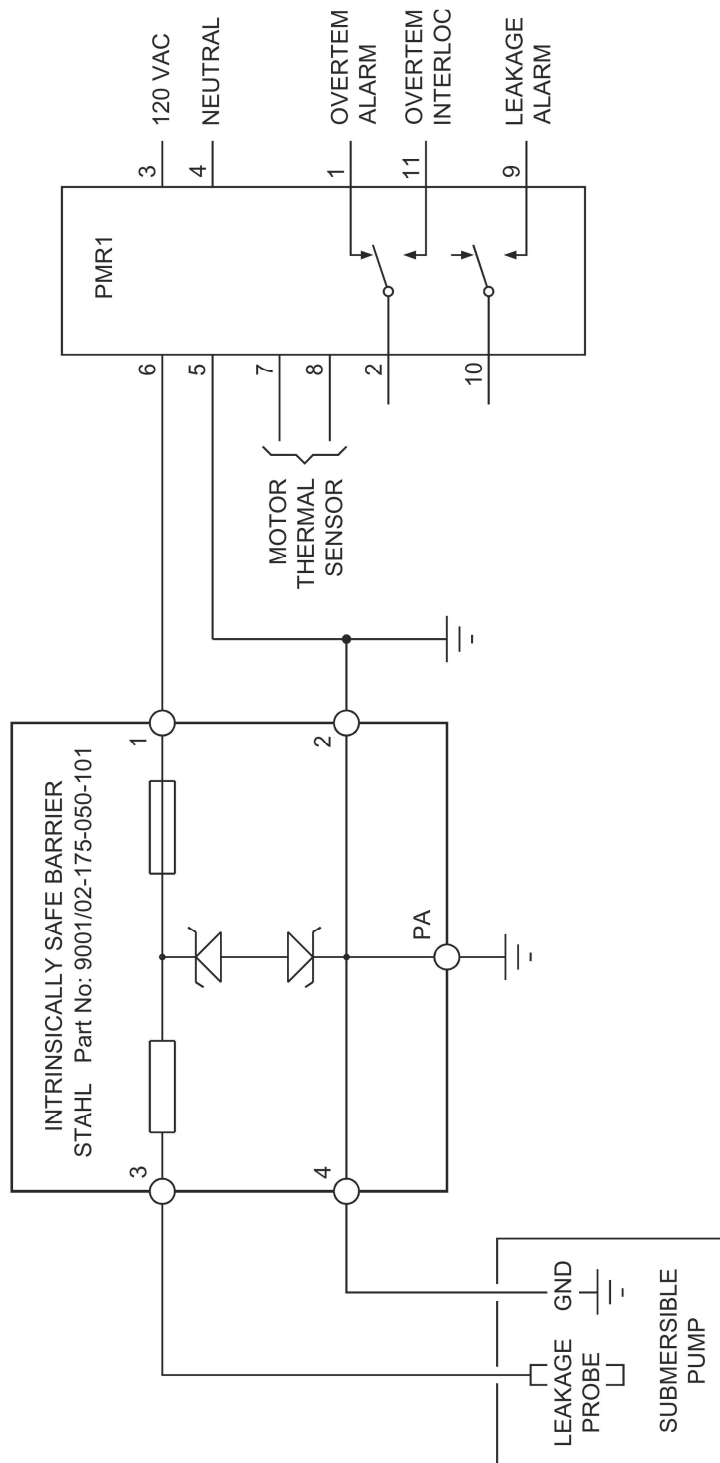




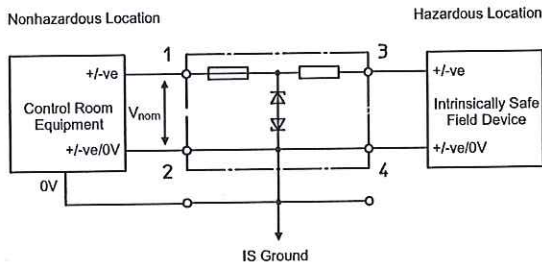
INTRINSICALLY SAFE BARRIER For PUMP MONITOR RELAY PMR1 LEAKAGE PROBE INPUT

STAHL Part No: 9001/02-175-050-101



Order Intrinsically Safe Barrier from: R. Stahl PH: 832-539-6700

9001 Series, Single Channel - Alternating Polarity



- Grounded circuit
- Suitable for AC and DC circuits.
- Various safety and operational characteristics as listed in the table below
- Approved for installation in Division 2 and Zone 2

Technical Tips

- 9001/02-412-095-101 not allowed for interfacing to field devices in gas groups A, B, E and IIC
- 9001/02-016-xxx-1x1 - Maximum leakage current (terminal 1 to ground (0V)) $\leq 10 \mu\text{A}$
- 9001/02-016-xxx-111 - Tolerance = $\pm 0.5 \%$

FM / UL Information - Connections to Class I, II, III, Division 1 or Class I, Zone 0

Order Code	Operational Characteristics				Entity Parameters			Gas Group Cable Parameters			
	V_{nom} V	R_{min} Ω	R_{max} Ω	I_{max} mA	V_{oc} V	I_{sc} mA	P_o mW	A, B, E or IIC L_a mH	C, D, F, G or IIB, IIA C_a μ F	L_a mH	C_a μ F
9001/02-016-015-101	0.7	119	134	5	1.6	15	6	160	100	560	1000
9001/02-016-050-101	0.7	38	43	16	1.6	50	20	15	100	56	1000
9001/02-016-050-111	0.7	39	40	17	1.6	50	20	15	100	56	1000
9001/02-016-150-101	0.7	--	20	35	1.6	150	60	1.3	100	7	1000
9001/02-016-150-111	0.7	19	20	35	1.6	150	60	1.3	100	7	1000
9001/02-016-320-101	0.7	11	14	50	1.6	320	128	0.19	100	1.6	1000
9001/02-093-003-101	6	3141	3472	1,7	9.3	3	6.975	1000	4.1	1000	31
9001/02-093-030-101	6	319	354	16	9.3	30	69.75	40	4.1	150	31
9001/02-093-050-101	6	195	218	27	9.3	50	116.3	15	4.1	56	31
9001/02-093-075-101	6	148	165	36	9.3	75	174.4	6.7	4.1	25	31
9001/02-093-150-101	6	70	79	75	9.3	150	348.8	1.3	4.1	7	31
9001/02-093-390-101	6	--	36	166	9.3	390	906.8	0.16	4.1	0.89	31
9001/02-133-150-101	10	102	115	86	13.3	150	498.8	1.3	0.91	7	5.6
9001/02-175-050-101	12	378	421	28	17.5	50	218.8	15	0.339	56	1.97
9001/02-175-100-101	12	197	222	54	17.5	100	437.5	4	0.339	15	1.97
9001/02-175-200-101	12	101	114	105	17.5	200	875	0.5	0.339	4	1.97
9001/02-196-150-101	16	148	167	95	19.6	150	735	1.3	0.235	7	1.47
9001/02-280-090-101	24	320	357	67	28	90	630	2.2	0.083	14	0.65
9001/02-412-095-101	36	456	509	70	41.2	95	978.5	--	--	9	0.287