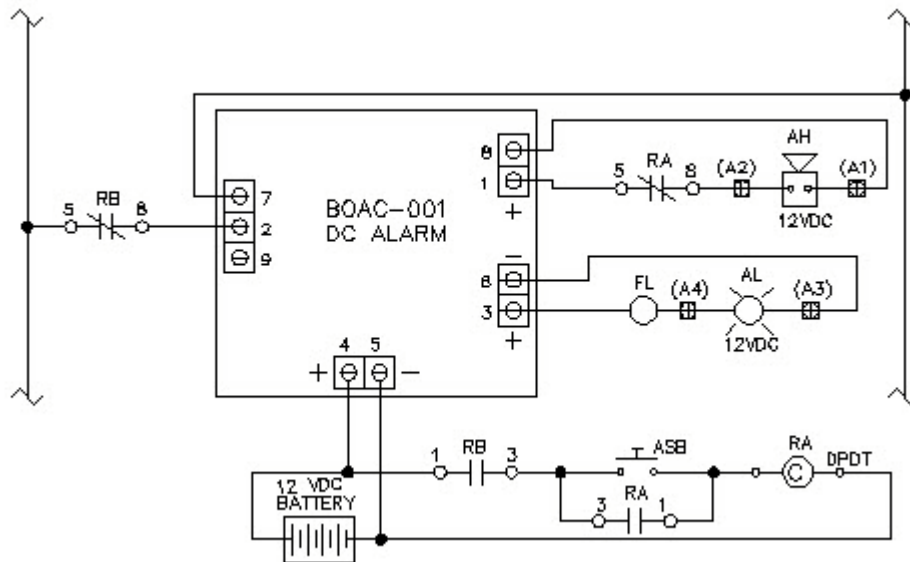




White Paper – MPE BOAC-001

The MPE p/n BOAC-001 charges the backup battery used in a control panel alarm system using a DC alarm light and horn. The alarm light can be either a incandescent bulb and flasher, or a strobe type. The BOAC-001 unit activates the alarm light and horn when there is a loss of 120VAC power, or when a contact is closed across pins 3 and 10. When 120VAC power is lost, there is a time delay of approximately 5 seconds to switch from the charging circuit to the battery powered alarm circuit to prevent nuisance alarms. The BOAC-001 will operate the alarm horn intermittently (On for 2 seconds, Off for 2 seconds) to conserve battery power. A push-to-test button is provided to verify system operation. When pushed, the alarm light is activated and the horn operates intermittently; 2 seconds on, 2 seconds off. After an alarm, with 120VAC applied, the BOAC will recharge the 12VDC backup battery.



Typical Control Panel Parts Associated with the BOAC-001 Application:

<u>Description</u>	<u>Vendor</u>	<u>Vendor P/N</u>	<u>Contact Number</u>
12VDC Battery (UR)	Yuasa-Exide Eagle Picher	NP7-12 CF-12V7.2	Xstatic LLC (334) 692-4650 Allied Electronics (800)-433-5700
Alarm Light	Ingram	LRX40	Ingram Products (904) 778-1010
12VDC Flasher	Ingram	FS312	Ingram Products (904) 778-1010
12VDC, 15W Bulb	Microlamp	15A15/12V	Microlamp (954) 970-7171
Alarm Strobe	Federal Signal	LP3M-012-048R	Graybar Electric (407) 841-4810
DC Alarm Horn	Wheelock	MT12/24-R	Graybar Electric (407) 841-4810
Alarm Horn Backbox	Wheelock	IOB-R	Graybar Electric (407) 841-4810
Alm Reset Pushbutton	Sq-D	9001SKR1U	Graybar Electric (407) 841-4810
Reset Contact Block	Sq-D	9001 KA-3	Graybar Electric (407) 841-4810
DC Alarm Reset Relay	Magnacraft Sq-D	750XBX69C-12D 8501KP12P14V51	Graybar Electric (407) 841-4810 Graybar Electric (407) 841-4810