



PUMP MONITOR RELAY - PMR1

Application Note For

Leakage Probe Input Noise Suppression

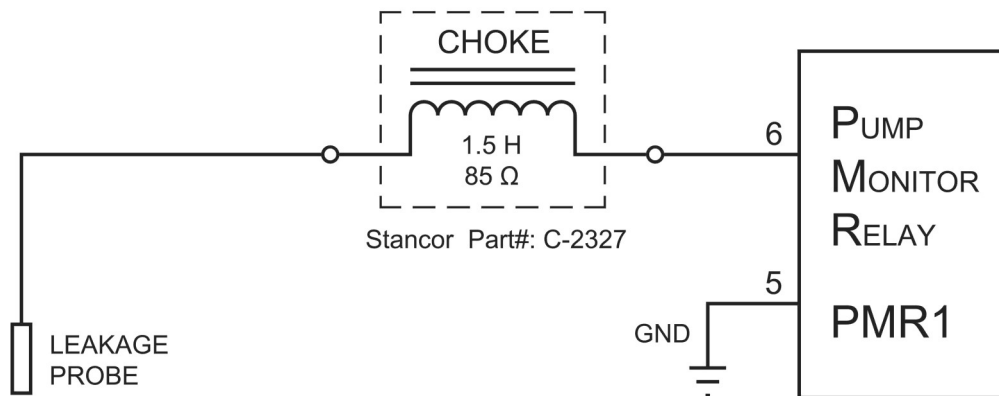
Using a Choke

DESCRIPTION

In applications where Variable Frequency Drives or Soft Start Starters are used, a Choke may be required on the Leakage Probe input to the PMR1 to filter excessive electrical noise generated by the Pump Motor Leads.

The recommended Choke is most effective when the switching frequency of the VFD or Soft Start Starter is 4 kHz or higher.

The Leakage Probe input signal is connected so that it goes through the Choke as shown below.



The recommended Choke for this application is the:

Stancor Part#: C-2327

Available From: Online Components
Website: www.onlinecomponents.com

